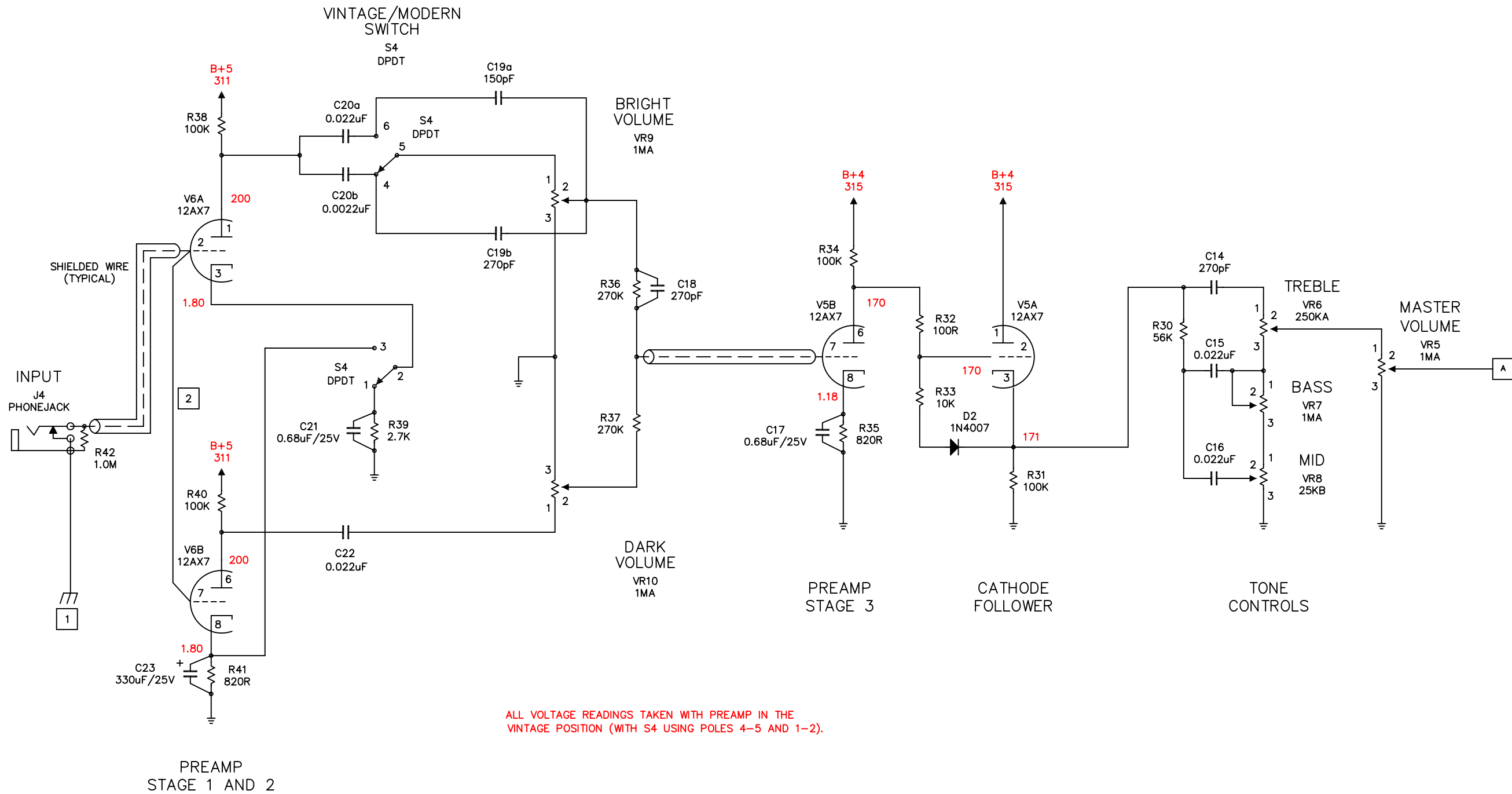


Revision	Description
09.05.01	Initial Design



ChappellAmps

www.chappellamps.com

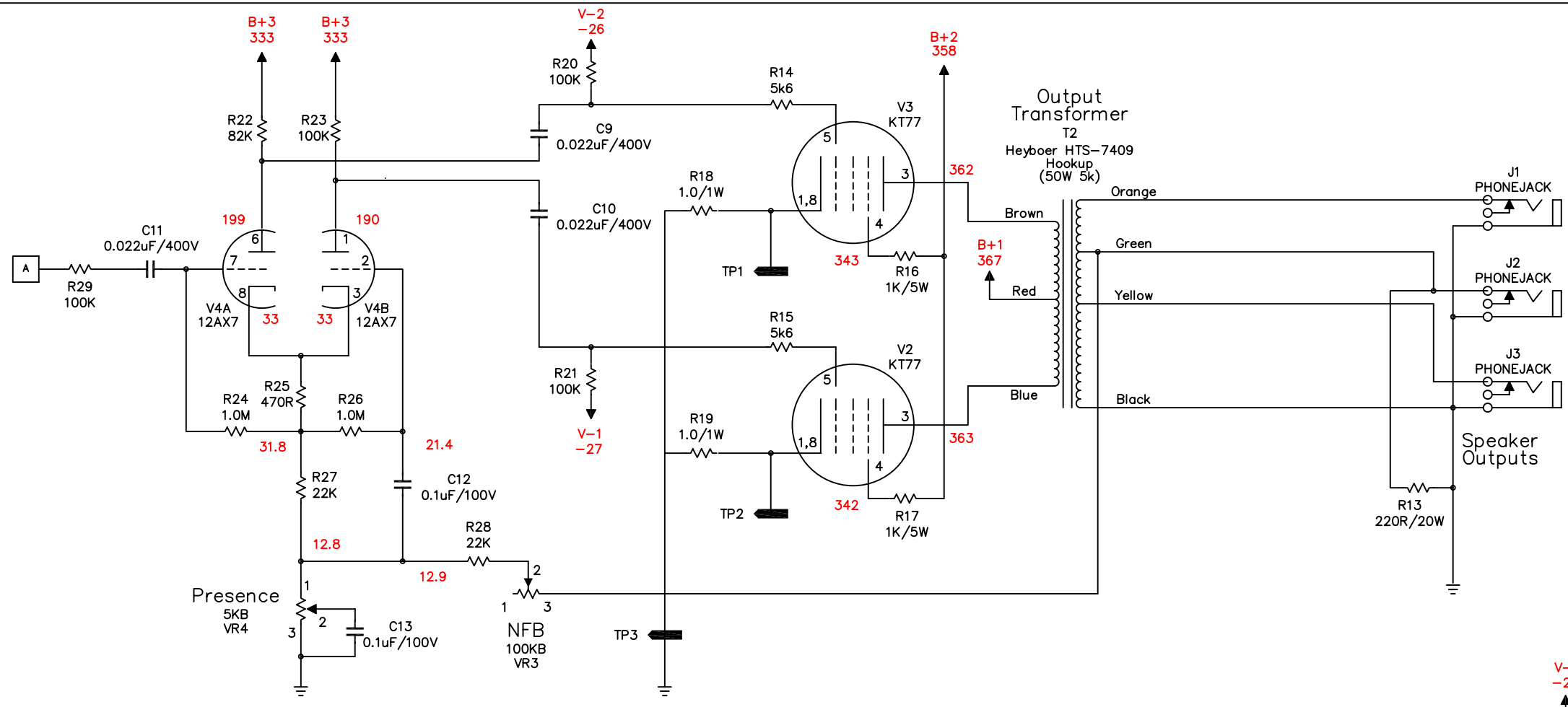
Title: **October ~ Stage**

Date: 09/05/01

Sheet 1 Of 3

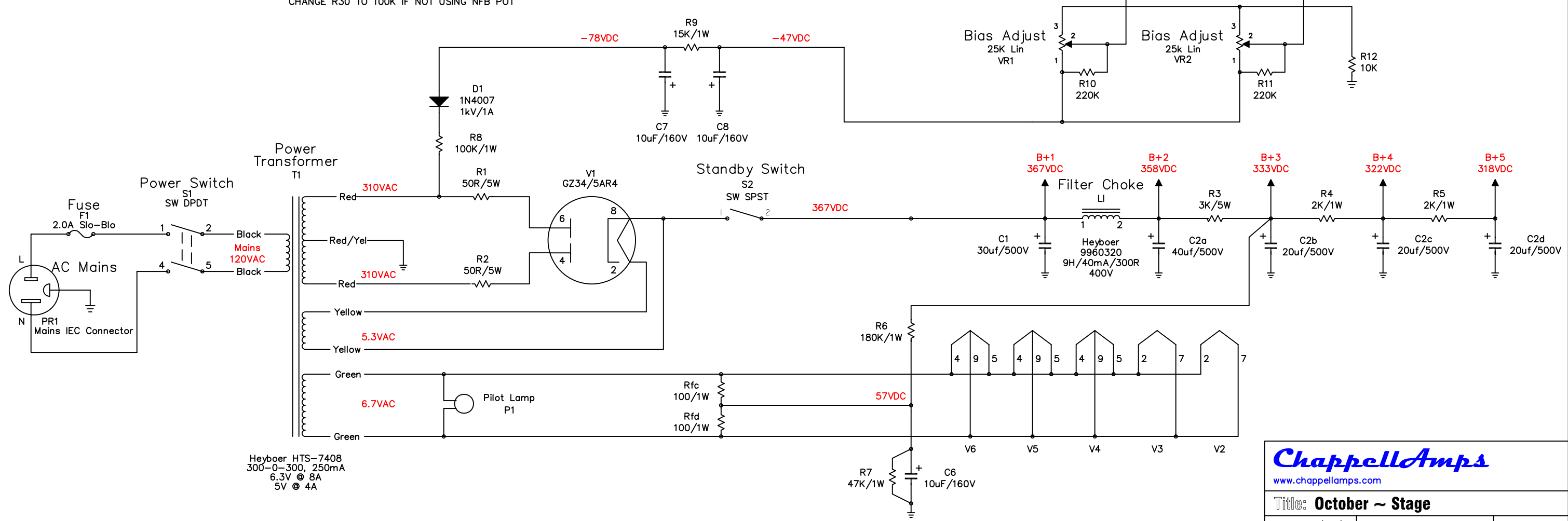
SN:

Revision	Description
09.05.01	Initial Design



AS BUILT INFO:
 THIS AMP IS A COMBO AND DOES NOT HAVE AN IMPEDENCE SELECTOR.
 B+ VOLTAGE WITH MAX. V- IS 423V AT THE KT77 PLATES.
 BIAS CALCULATIONS:
 $(32W * 0.7) / 423V = 22.4 / 423V = 53mA$
 SUGGESTED BIAS SETTINGS:
 50% PaMax = 38mA
 70% PaMax = 53mA
 90% PaMax = 68mA
 AMP WAS SHIPPED WITH BIAS SET TO 53mA
WARNING: SETTING THE BIAS CLOSER TO 90% PaMax WILL SHORTEN POWER TUBE LIFE.

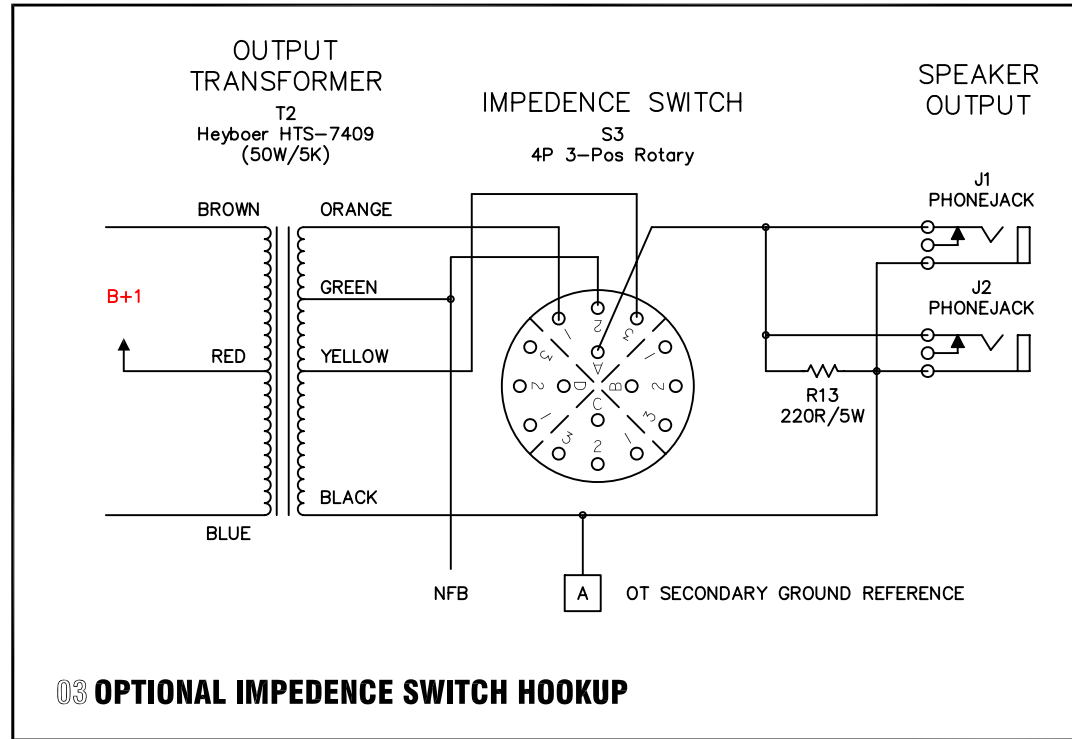
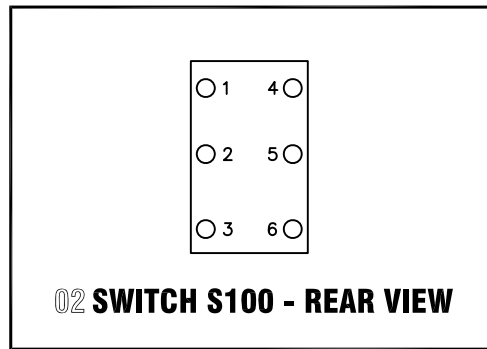
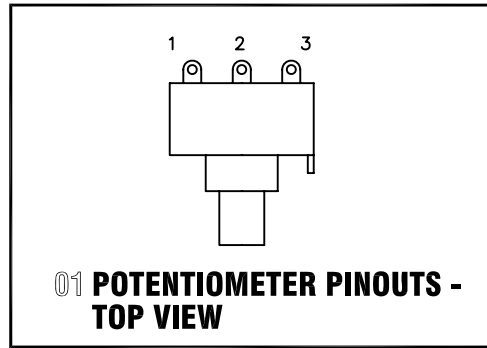
CHANGE R30 TO 100K IF NOT USING NFB POT



Heyboer HTS-7408
 300-0-300, 250mA
 6.3V @ 8A
 5V @ 4A

ChappellAmps
www.chappellamps.com

Revision	Description
09.05.01	Initial Design



ChappellAmps

www.chappellamps.com

Title: **October ~ Stage**

Date: 09/05/01

Sheet 3 Of 3

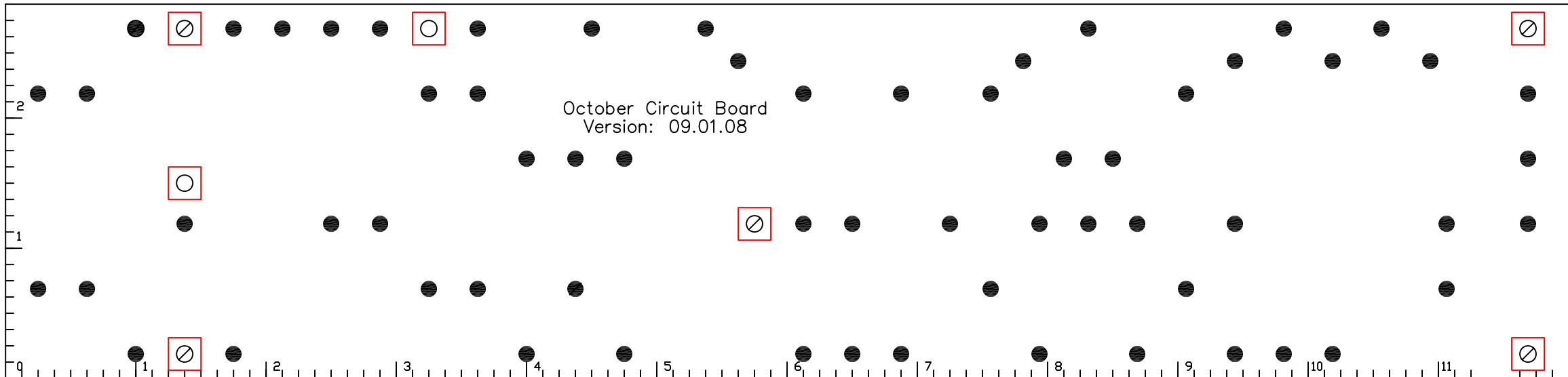
SN:

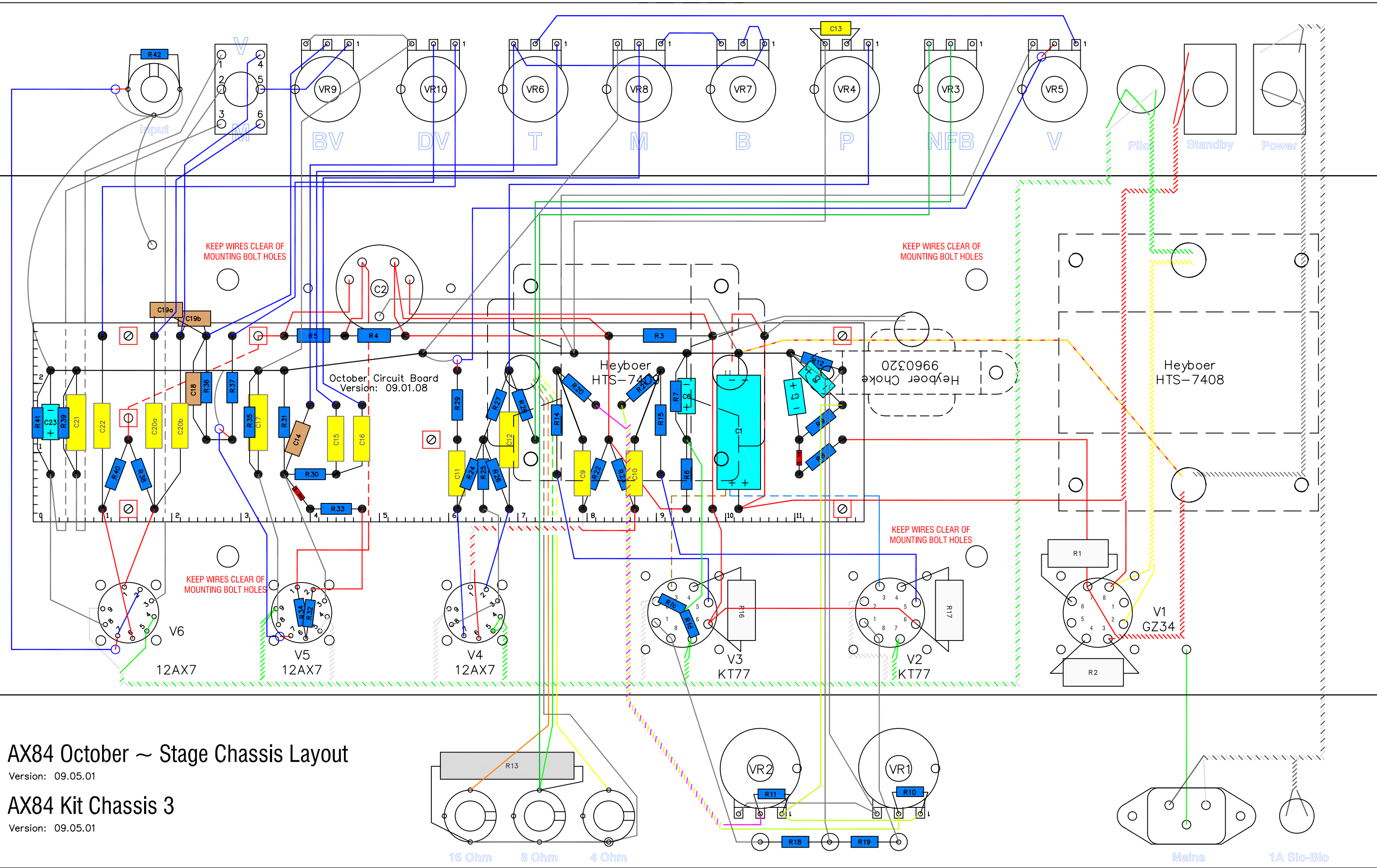
AX84 October Stage Amplifier BOM

Revision: 09.05.01

Item	Quantity	Reference	Value
1	1	C1	30uF/500V
2	1	C2	40/20/20/20 Multi-section Capacitor
3	3	C6, C7, C8	10uF/160V
4	7	C9, C10, C11, C15, C16, C20a, C22	0.022uF/400V
5	2	C12, C13	0.1uF/100V
6	3	C14, C18, C19b	270pF/500V
7	2	C17, C21	0.68uF/25V
8	1	C19a	150pF/500V
9	1	C20b	0.0022uF/400V
10	1	C23	330uF/25V
11	2	R1, R2	50R/5W
12	1	R3	3K/5W
13	2	R4, R5	2K/1W
14	1	R6	180K/1W
15	2	Rfc, Rfd	100R/1W
16	1	R7	47K/1W
17	1	R8	100K/1W
18	1	R9	15K/1W
19	2	R10, R11	220K
20	2	R12, R33	10K
21	1	R13	220R/20W
22	2	R14, R15	5k6
23	2	R16, R17	1K/5W
24	2	R18, R19	1R/1%
25	7	R20, R21, R23, R31, R34, R38, R40	100K
26	1	R22	82K
27	3	R24, R26, R42	1.0M
28	1	R25	470R
29	2	R27, R28	22K
30	1	R30	56K
31	1	R32	100R
32	2	R35, R41	820R
33	2	R36, R37	270K
34	1	R39	2k7
35	1	F1	2A SLO-BLO
36	1	FH1	Fuse Holder
37	1	J1	Power Connector
38	1	PC1	Power Cord
39	4	J1, J2, J3, J4	Phonejack
40	6	JW1, JW2, JW3, JW4, JW5, JW6	Phonejack Isolation Washer (if needed)
41	2	S1, S4	SW DPDT
42	1	S2	SW SPST
43	2	D1, D2	1N4007

44	1	PL1	Pilot Lamp Assembly And Bulb
45	1	T1	Heyboer HTS-7408
46	1	T2	Heyboer HTS-7409
47	1	L1	Heyboer 9960320
48	3	SK4, SK5, SK6	9 Pin Tube Sockets
49	3	SK1, SK2, SK3	8 Pin Octal Socket
50	1	V1	GZ34/5AR4
51	2	V2, V3	KT77
52	3	V3, V4, V5	12AX7
53	2	VR1, VR2	25KB (bias)
54	1	VR3	100KB
55	1	VR4	5KB
56	4	VR5, VR7, VR9, VR10	1MA
57	1	VR6	250KA
58	1	VR8	25KB
59	1	CCImp	Clamp For Multi-section Cap C2
60	8	K1, K2, K3, K4, K5, K6, K7, K8	Front Panel Knobs
61	1	K9	Impedence Selector Knob
62	1	CH1	Chassis
63	2	TP1, TP2	Red Tip Jack
64	1	TP3	Black Tip Jack
65	2		Not Used
66	1	S3	4P, 3-POS Rotary





AX84 October ~ Stage Chassis Layout

Version: 09.05.01

AX84 Kit Chassis 3

Version: 09.05.01

16 Ohm 8 Ohm 4 Ohm

Mains 1A Slo-Blo