

WARNING! - Please Read this Information Carefully:

The project described in these pages utilizes **POTENTIALLY FATAL HIGH VOLTAGES**. If you are in any way unfamiliar with high voltage circuits or are uncomfortable working around high voltages, **PLEASE DO NOT RISK YOUR LIFE BY BUILDING THEM**. Seek help from a competent technician before building any unfamiliar electronics circuit. While efforts are made to ensure accuracy of these circuits, no guarantee is provided, of any kind!

***USE AT YOUR OWN RISK:* THE WEBMASTER, PROJECT COORDINATOR, PROJECT CONTRIBUTORS AND WEB SPACE PROVIDER EXPRESSLY DISCLAIM ALL LIABILITY FOR INJURY OR PROPERTY DAMAGE RESULTING FROM THIS INFORMATION! ALL INFORMATION IS PROVIDED 'AS-IS' AND WITHOUT WARRANTY OF ANY KIND.**

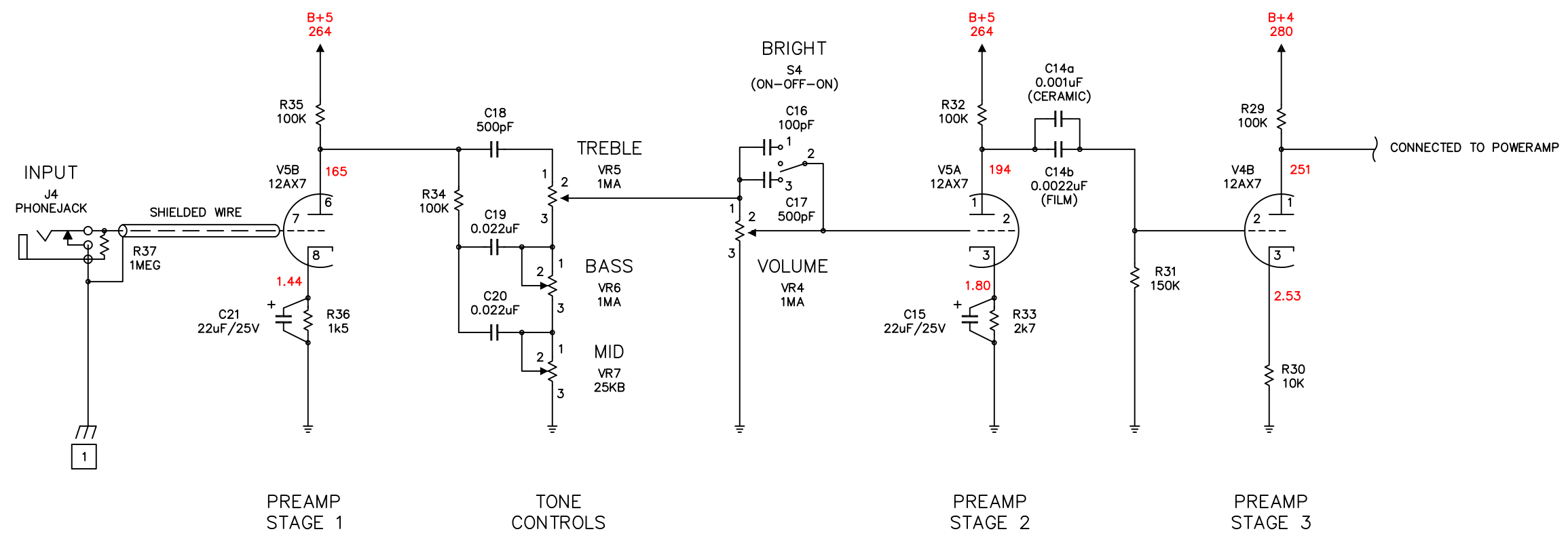
COPYRIGHT AND INTELLECTUAL PROPERTY NOTICE:

The content of this document is protected by the copyright laws of the United States of America and the international copyright laws and agreements.

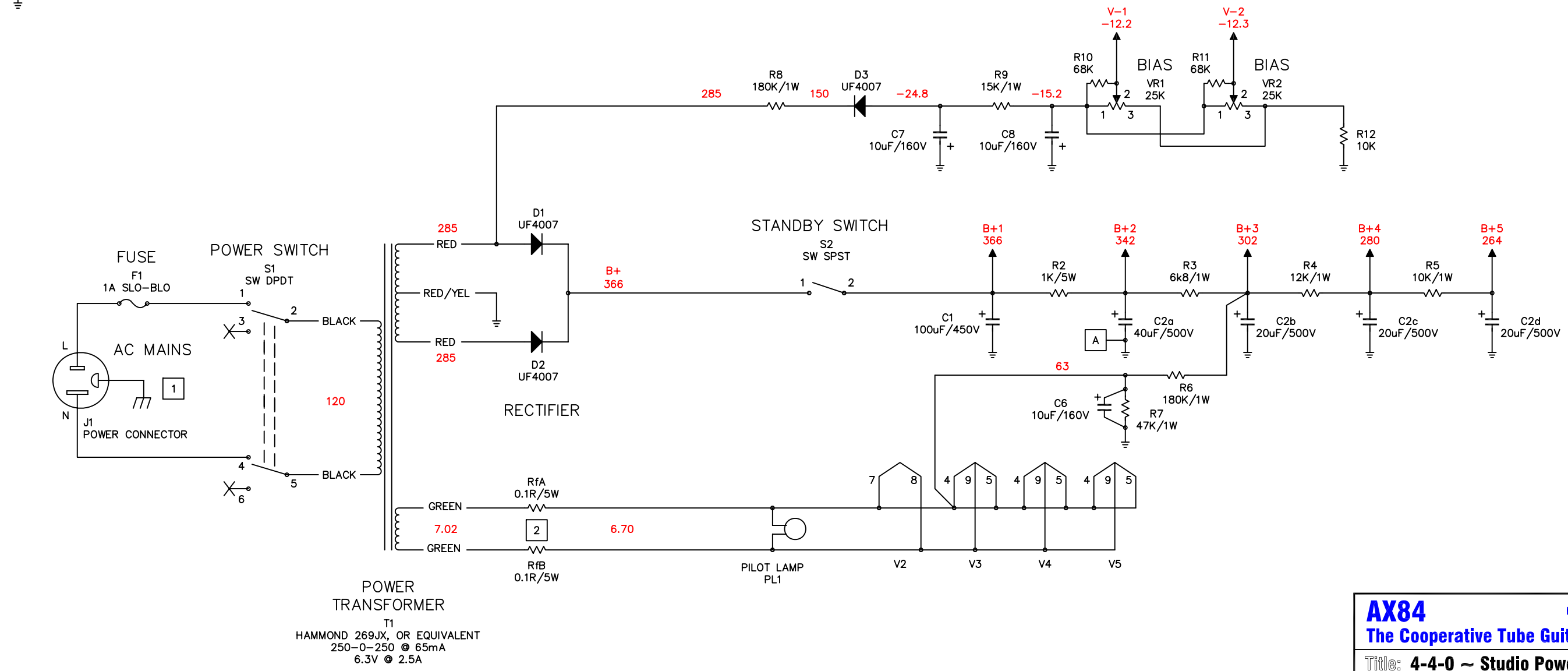
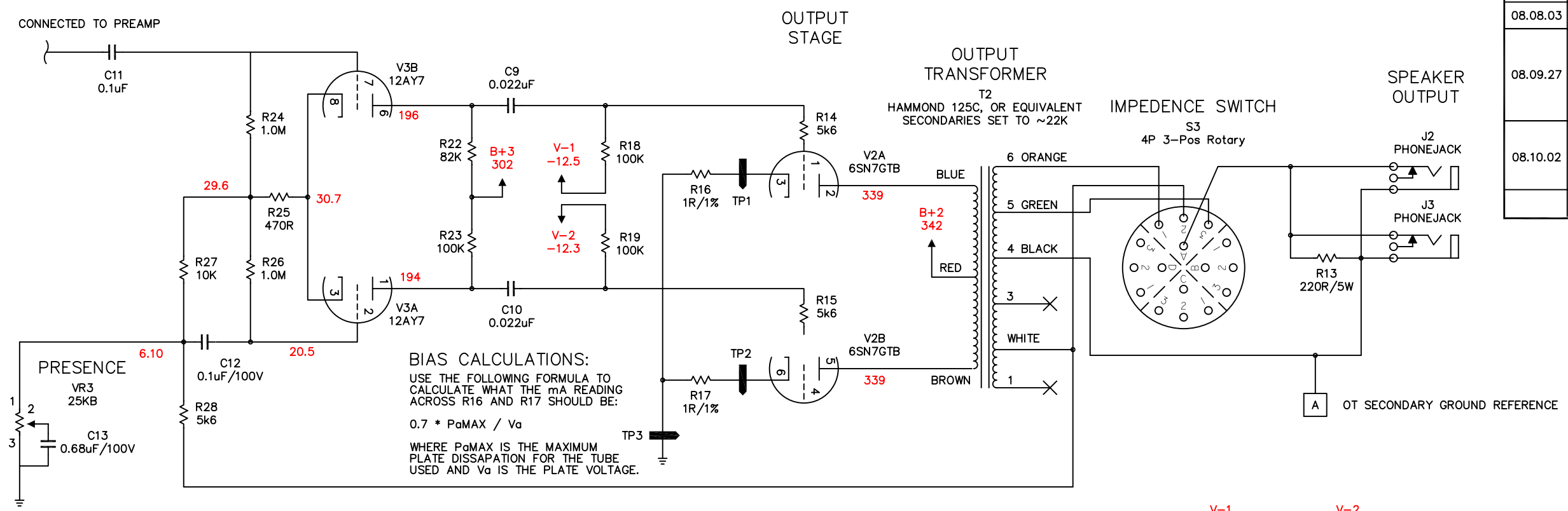
Except where specifically noted, Cliff Chappell or Chris Hurley owns (or has permission to use) all intellectual property rights in relation to this document and its content (including, but not limited to, all trademarks and copyright).

No part of the document may be reproduced, displayed, copied, translated, adapted, downloaded, broadcast, used or republished in any form including (without limitation) distribution, or storage in a system for retrieval.

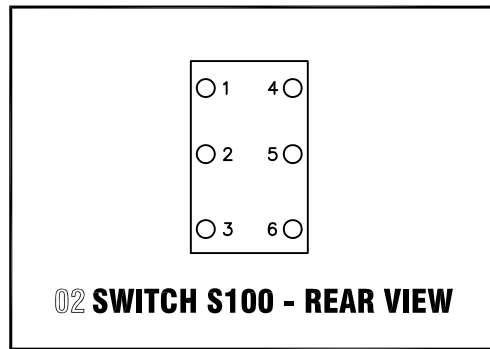
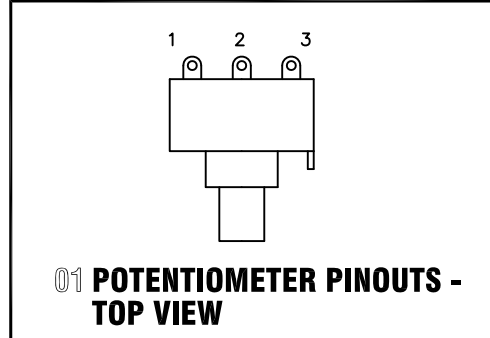
Revision	Description
08.08.03	Initial Design
08.09.27	Change C1 To 100uF/450V Changed R31 To 150K Added C14a And C14b Changed VR5 & VR6 To 1MA Changed VR3 To 25KB Changed C13 To 0.68uF/100V
08.10.02	Changed Tonstack Hookup For VR6 & VR7 Removed R20 & R21 Change R14 & R15 To 5k6 Changed V3 To 12AY7




Revision	Description
08.08.03	Initial Design
08.09.27	Change C1 To 100uF/450V Changed R31 To 150K Added C14a And C14b Changed VR5 & VR6 To 1MA Changed VR3 To 25KB Changed C13 To 0.68uF/100V
08.10.02	Changed Tonstack Hookup For VR6 & VR7 Removed R20 & R21 Change R14 & R15 To 5k6 Changed V3 To 12AY7



Revision	Description
08.08.03	Initial Design
08.09.27	Change C1 To 100uF/450V Changed R31 To 150K Added C14a And C14b Changed VR5 & VR6 To 1MA Changed VR3 To 25KB Changed C13 To 0.68uF/100V
08.10.02	Changed Tonstack Hookup For VR6 & VR7 Removed R20 & R21 Change R14 & R15 To 5k6 Changed V3 To 12AY7



GENERAL NOTES:

1. ALL RESISTORS 1/2W MINIMUM UNLESS OTHERWISE NOTED.
2. ALL COUPLING CAPACITORS 400V OR GREATER.
3. VOLTAGE READINGS ARE THOSE TAKEN WITH MY TUBE SET. THE USE OF DIFFERENT TUBE SETS WILL ALTER THE READINGS.
4. THE  SYMBOL REPRESENTS SHIELDED CABLE.

CONSTRUCTION NOTES:

- 1 THIS IS A GROUND CONNECTION TO THE CHASSIS. THE MAINS SAFETY CONNECTION SHOULD BE MADE AS CLOSE AS POSSIBLE TO THE POINT WHERE AC ENTERS THE CHASSIS. THE CIRCUIT CONNECTION SHOULD BE MADE AS CLOSE AS POSSIBLE TO THE INPUT JACK. IDEALLY, THE JACK ITSELF SHOULD BE USED AS THE CONNECTION POINT BY NOT ISOLATING IT FROM THE CHASSIS.
- 2 THESE TWO 0.1R/5W RESISTORS ARE OPTIONAL, AND ARE NEEDED ONLY WHEN YOUR MAINS VOLTAGES ARE GREATER THAN THAT WHICH THE POWER TRANSFORMER WAS WOUND FOR. THE VALUES SHOWN SHOULD BE CORRECT FOR A 115V PT USED WITH 120V MAINS. THE PURPOSE OF THESE TWO RESISTORS IS TO INSURE THAT THE FILAMENT VOLTAGE STAYS WITHIN +/- 10% OF 6.3VAC.

VOLTAGE READING NOTES:

1. THE VOLTAGE READINGS ON THIS SCHEMATIC ARE SIMULATED BASED ON THE USE OF A HAMMOND 269JX WITH 120V MAINS.
2. DIFFERENT TUBES DRAW DIFFERENT AMOUNTS OF CURRENT, NO TWO ARE ALIKE UNLESS THEY ARE MATCHED. THE AMOUNT OF CURRENT DRAWN BY ALL THE TUBES IN THE AMP WILL AFFECT VOLTAGE READINGS THROUGHOUT THE AMP.

TUNING NOTES:

1. A 12AV7 TUBE MAY BE USED IN THE V3 POSITION TO LOWER THE GAIN OF THE PI AND REDUCE DISTORTION.
2. A 12AY7 MAY BE USED IN THE V5 POSITION TO LOWER THE GAIN AND OVERALL DISTORTION OF THE AMP.
3. YOU WILL FIND THAT TWO IMPORTANT AREA FOR TUNING THIS AMP IS THE COUPLING CAPACITOR(S) AND GRID RESISTOR BETWEEN THE 2ND AND 3RD PREAMP STAGES. LOWERING THE VALUE OF R31 WILL REDUCE THE DISTORTION, AND CHANGING C14A/B WILL AFFECT BASS AND TREBLE RESPONSE.